

Datasheet

2.5" SATA SSD

3ME series

- 2.5" SATA III solution for industrial field
- 7mm height mechanical design
- iSMART disk health monitoring
- Intelligent error recovery system
- Excellent data transfer speed
- Enhanced power cycling management



Introduction

InnoDisk 2.5" SATA SSD 3ME is SATA III 6Gb/s Flash based disk, which delivers excellent performance and reliability making it the ideal solution for a variety of applications, including embedded system, industrial computing, and enterprise field. 3ME 2.5" SSD not only performs unmatched performance, but also designed with InnoDisk owned technical knowhow to ensure the data integrity and highest levels of reliability.

innodisk



**ICP Electronics
Australia Pty Ltd**

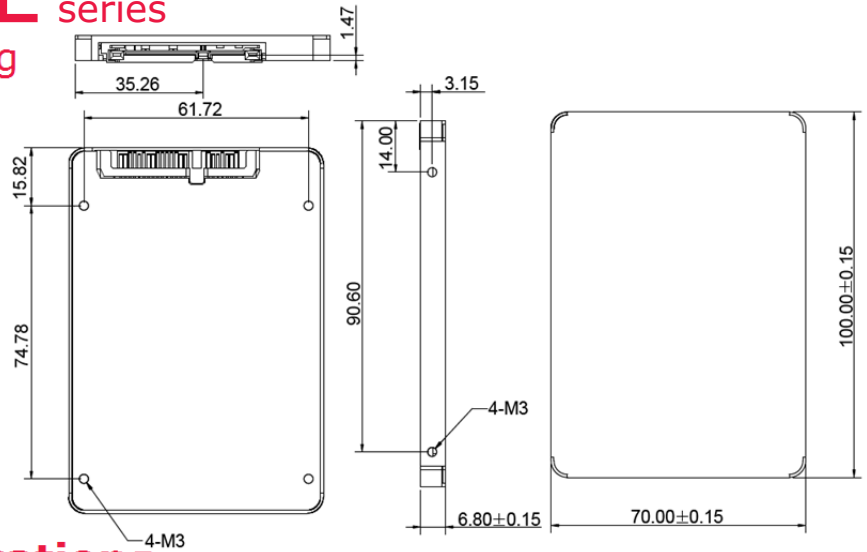
ICP Electronics Australia Pty Ltd
Tel: 02 9457 6011
sales@icp-australia.com.au
www.icp-australia.com.au

www.icp-australia.com.au

2.5" SATA SSD

3ME series

Drawing



Specifications

Interface	SATA III
Flash Type	MLC
Flash P/E Cycle Limit	3000
Capacity	8GB~256GB
Max. Channels	4
Sequential R/W (MB/sec, max.)	460 / 240
Max. Power Consumption	2.1 W (5V x 428 mA)
Thermal Sensor	√
External DRAM Buffer	-
H/W Write Protect	-
Pin7 Power	-
ATA Security	Supported
S.M.A.R.T.	Supported
Dimension (WxLxH)	69.85 X 100.10 X 7.0 mm
Environment	Vibration: 20G @7~2000Hz Shock: 1500G @ 0.5ms Storage Temperature: -55°C ~ +95°C MTBF: 3 million hours

Ordering Information

20130524

Operation Temp.	8GB	16GB	32GB	64GB	128GB	256GB
Standard Grade (0°C ~ +70°C)	DES25-08GD06SC1DC	DES25-16GD06SC1DC	DES25-32GD06SC1QC	DES25-64GD06SC1QC	DES25-A28D06SC1QC	DES25-B56D06SC1QC
Industrial Grade (-40°C ~ +85°C)	DES25-08GD06SW1DC	DES25-16GD06SW1DC	DES25-32GD06SW1QC	DES25-64GD06SW1QC	DES25-A28D06SW1QC	DES25-B56D06SW1QC

innodisk



**ICP Electronics
Australia Pty Ltd**

ICP Electronics Australia Pty Ltd
Tel: 02 9457 6011
sales@icp-australia.com.au
www.icp-australia.com.au

www.icp-australia.com.au

Contact us for more information
about the 2.5" SATA SSD 3ME

Innodisk is a service-driven provider of industrial embedded flash and DRAM storage products and technologies, with a focus on the industrial/embedded, aerospace and defense, and cloud computing industries.