



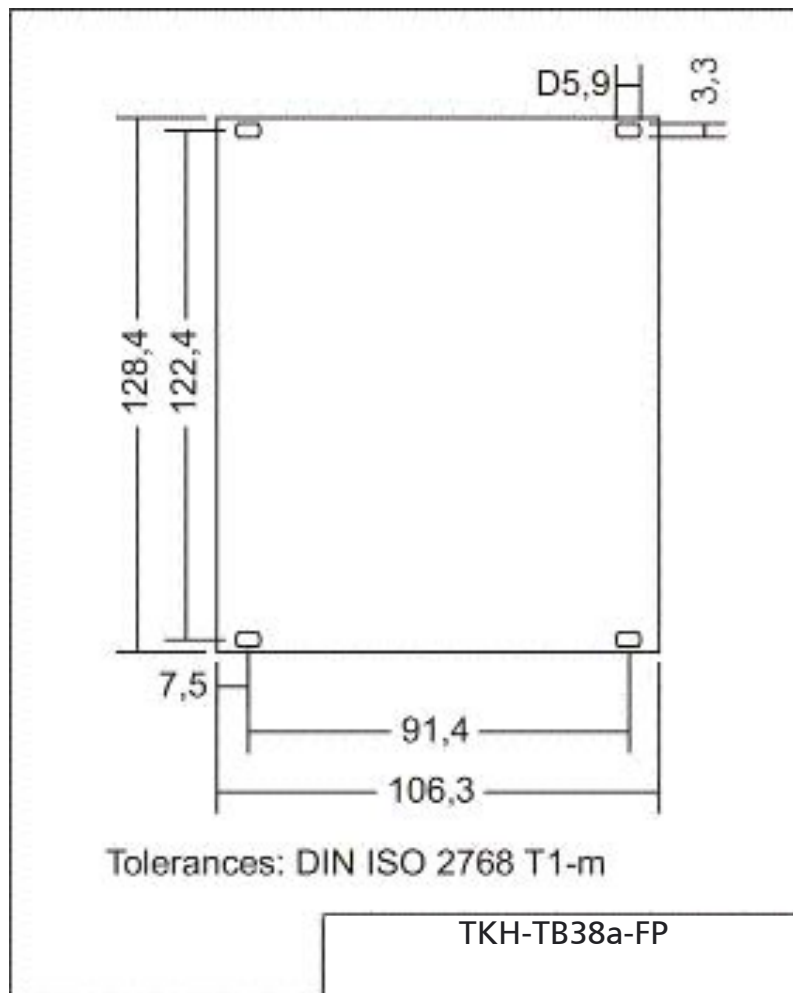
Features and benefits:

- 38 mm Industrial Trackball
- > 6 mil. ball revolutions
- PS/2 and USB compatible
- Panel mount version
- Rugged construction for reliable functionality
- Chemical, abrasion and scratch resistant frontsheet
- Ergonomic design
- IP65 (NEMA 4x) frontside sealing
- Semi or full customisation available
- Cost-effective

Specification

Ball Diameter:	38 mm (1.5")
Actuation Force:	50 g
Trackball Lifetime:	> 6 mil. revolutions
Protection Level:	IP65 static (NEMA 4x), IP54 dynamic,
Mounting Type:	panel mount
Dimensions:	110 x 135 x 30 mm; 4.330" x 5.314" x 1.181"
Weight:	200 grams
Operating Temperature:	-40 °C to 90 °C; -40 °F to +194 °F
Frontpanel Material:	PCB-material, FR4

Cat.-No.	Product Name	
KH02003	TKH-TB38b-FP-PS/2	PS/2
KH02004	TKH-TB38b-FP-USB	USB



Mounting depth: 30 mm