

10.1" Rugged Tablet PC

M101B

Product Features:

- 10.1" 1920x1200 IPS LED Panel with P-Cap Touch
- Long battery life with Intel® BayTrail-M processor
- IP65 water and dust proof
- Optional Barcode or RFID Reader
- Dual Camera Design: 5MP Main camera with LED flash / 2MP Webcam
- Optional Expansion port for USB / RS232 connection
- Hot-Swappable Battery Design / Optional high capacity battery pack
- 2 Programmable function keys
- Computrace® theft protection support
- With Optical Bonding for Sunlight Readability

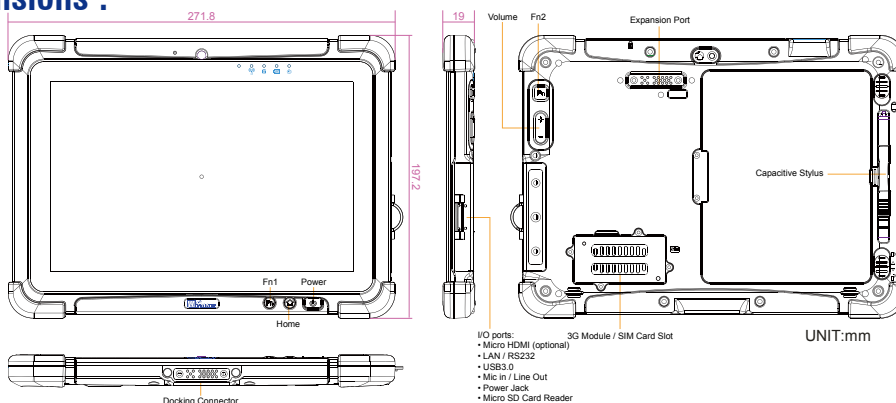


CE FC EN60601

Product Specifications:

| | | |
|---------------------------------------|----------------------------|--|
| System Specification | Processor | Intel BayTrail-M Quad-Core 1.8GHz |
| | System Memory | 4GB SODIMM DDR3L-1600 (up to 8GB) |
| | Storage | 64GB mSATA MLC SSD (up to 256GB) |
| Operating System | Operating System | Windows 10 IoT Enterprise Windows Embedded 8.1 Industry Pro Windows Embedded Standard 7 Windows 7 Pro for Embedded Systems |
| | Size / Technology | 10.1-inch IPS LED backlight |
| | Resolution | 1920x1200 WUXGA |
| | Brightness | 700 nits typ. With Optical Bonding for Sunlight Readability |
| Display Specification | Touch | Multi-Touch Projective Capacitive |
| | Contrast Ratio | 800:1 |
| Wireless Communication | WLAN | 802.11 a/b/g/n |
| | Bluetooth | Bluetooth 4.0 Dual Mode (Classic + Low Energy) Class I |
| | GPS | u-Blox Neo-6Q |
| WWAN | WWAN | Optional 4G (LTE, HSPA+, GSM/GPRS/EDGE, EV-DO Rev A, 1xRTT) or optional 3G (HSPA+, GSM/GPRS/EDGE) |
| | Audio | 1 x Built-in Mic, 2 x 1W Speaker |
| System I/O Buttons Indicators Sensors | External I/O | 1 x Micro HDMI (optional), 1 x 30-pin Combo Conn (Giga-LAN or RS232), 1 x USB3.0, 1 x Audio Combo Conn. (Mic in / Line Out), 1 x Power Jack, 1 x Micro SD Slot |
| | Buttons | 1 x Power, 1 x Home, 2 x Programmable Function Key, 2 x Volume Key |
| | LED Indicators | Power, Battery, HDD, RF |
| | Sensors | Light sensor, G sensor, Gyrometer, E-compass |
| Security | Security | Password security for user and hard disk lock Kensington lock slot Trusted platform module (TPM) V1.2 Computrace® theft protection support |
| | Mobile Device Management | SOTI MobiControl compatible |
| Data Capture | Camera | 5MP Auto-Focus Camera with LED Flash at rear / 2MP Camera at front side |
| | Barcode | Short range 1D/2D Barcode Reader (optional) (may not be used with HF RFID) |
| Mechanical and Environment | RFID | HF RFID Reader (optional) (may not be used with Barcode) |
| | Dimension (W x L x H) | 271.8 x 197.2 x 19 mm (10.7 x 7.76 x 0.75 inches) |
| | Weight | 1.2 kg (2.7 lbs) with standard battery, 1.4 kg (3.1 lbs) with optional high capacity battery |
| | Operating Temperature | -20°C to 60°C (AC mode), -10°C to 50°C (Battery mode) |
| | Storage Temperature | -30°C to 70°C (-22°F to 158°F) |
| | Humidity | 10 to 90% RH, non-condensing |
| | IP Proof | IP65 |
| Power Management | Certifications | CE, FCC, IC, UL 60950, EN60601** |
| | Power Input | 12-19V DC |
| | Battery | 7.4V, typ. 5300 mAh, min. 5140 mAh Li-Polymer Battery (2S1P) 7.4V, typ. 10600 mAh, min. 10280 mAh Li-Polymer Battery (2S2P, optional) |
| | Battery Operating Time | Std. Battery: 8 hours*** High Capacity Battery: 16 hours**** |
| Adapter | 100-240V, 50-60Hz / 19V DC | |

Dimensions:



- * Note: The drop test with high-capacity battery must come with hand strap.
- ** Note: EN60601 certified with optional power adapter for medical use
- *** Note: Measured at dimming LCD brightness. Varies depending on the usage conditions, or when an external device is attached.
- **** Note: this is a simplified drawing and some components are not marked in detail.
Please contact our sales representative if you need further product information.
- ***** Note: All Specifications are subject to change without prior notice.

| Accessories: | |
|--------------|----------------------------|
| 1. | 19V 65W Power Adapter x 1 |
| 2. | Power Cord x 1 |
| 3. | Standard Battery x 1 |
| 4. | M101 Quick Start Guide x 1 |
| 5. | Manual & Driver CD x 1 |
| 6. | Capacitive Stylus x 1 |

| Order Information: | |
|--------------------|--------------------------|
| M101B | Basic |
| M101B-3 | 3G |
| M101B-LE | 4G/LTE for Europe |
| M101B-LA | 4G/LTE for North America |
| M101B-AP | With Active Pen |