



Features

- Intel 6th Gen. Skylake Core i7/i5/i3 CPU
- 2 x SO-DIMM, up to 32GB
- 2 x removable SATA drive bay
- 4K UHD display with fanless design
- Multi-Expansion slot
- Support 2 x PCIe slot
- Three independent display port
- Wide range 9~36V DC power input

Specifications

System	
Processor	Intel® 6th Gen. Skylake Core™ i7/i5/i3 CPU with 35W TDP Support
System Chipset	Intel® H170 Chipset
System Memory	2 x 260-pin SO-DIMM up to 32GB DDR4 2133/2400 MHz

Outside IO Port	
USB	4 x USB 3.0 type A, 2 x USB 2.0 type A
Serial/Parallel	3 x RS-232/422/485 DB-9, default RS-232 1 x RS-232 DB-9
Audio	1 x Line-in, 1 x Line-out, 1 x Mic
LAN	4 x GbE LAN RJ-45
Display Interface	1 x Display port, 1 x DVI-I, 1 x HDMI
GPIO	1 x 4-in/4-out Digital I/O, 1- 5V, 1-GND
Power	1 x 3-pin DC power input terminal, 1 x power button

Storage	
Storage	2 x 2.5" SATA3 HDD bay (easy accessible), support RAID 0.1

Expansion	
On Board Expansion Bus	3 x Mini PCIe slot full size (one shared with mSATA)
Expansion Slot	2 x PCIe x1 slots or support 1 x PCIe x4 slot for ACS-2332

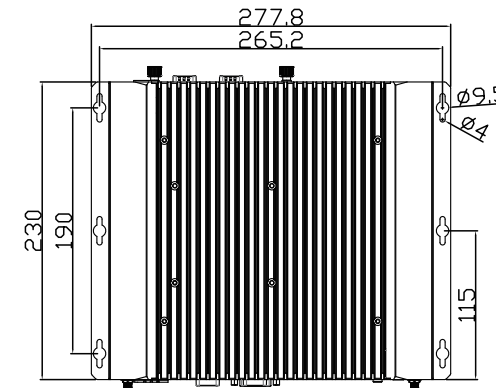
Power	
Power Input	9~36V DC

Mechanical	
Construction	Plating Titanium Gray Aluminum Heatsink and Black Steel Chassis
IP Rating	IP20
Mounting	Wall Mount
Dimension	ACS-2330: 277.8 x 230 x 86.7 mm ACS-2332: 280 x 230 x 134.6 mm
Net Weight	ACS-2330: 4.5 kg ACS-2332: 5.5 kg

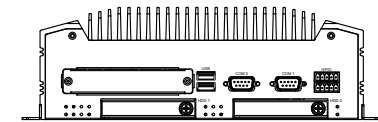
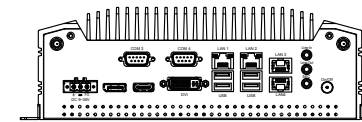
Environmental	
Operating Temperature	-10~50 °C
Storage Temperature	-30~70 °C
Storage Humidity	10~90% @40 °C non-condensing
Certificate	CE / FCC Class A

Dimensions

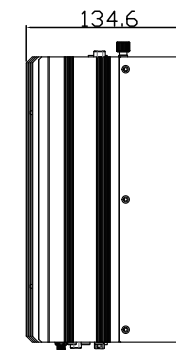
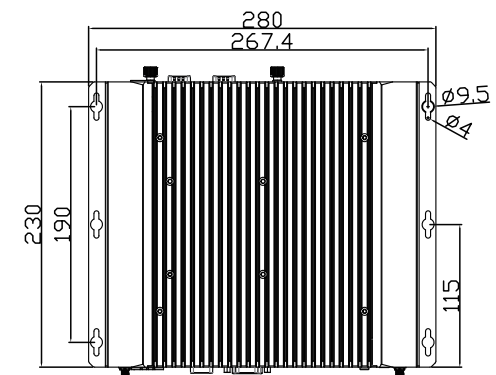
ACS-2330



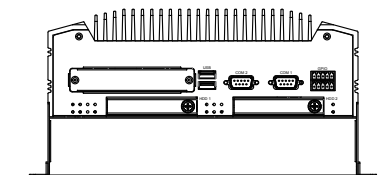
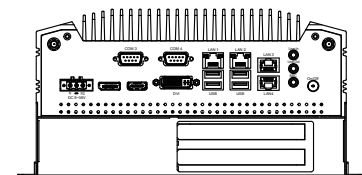
UNIT: mm
Tolerance: ± 0.5



ACS-2332



UNIT: mm
Tolerance: ± 0.5



Operating System Support

Windows Embedded 8.1 Industry Pro
Windows Embedded 8 Standard
Windows 10 IOT 2016

Ordering Information

ACS-2330 (Barebone) Fanless Box PC, Intel 6th Core i CPU, 2 x SO-DIMM, DDR4 slots, 2 x 2.5" HDD space, 3 x mini-PCIe slots, DC 9~36V power input with adaptor, Steel Chassis with Aluminum Heat sink

ACS-2332 (Barebone) Fanless Box PC, Intel 6th Core i CPU, 2 x SO-DIMM, DDR4 slots, 2 x 2.5" HDD space, 3 x mini-PCIe slots, 2 x PCIe x1 slots, DC 9~36V power input with adaptor, Steel Chassis with Aluminum Heat sink

